

## 200-220GHz Tx/Rx Converter

### Integrated with x16 AMC Chain



#### Description:

AT-16MIX-200220SIF-20 is up and down mixer covering 200-220GHz with WR-04 waveguide, LO port is integrated with X16 active frequency multiplier chain. IF Range is DC-20GHz.

AT Microwave also provide 220GHz band pass filter , Low noise amplifier and Power amplifiers.

For more information, please visit [www.atmicrowave.com](http://www.atmicrowave.com)

#### Feature

- ✓ RF: 200-220GHz
- ✓ LO: 12.5-13.75GHz
- ✓ IF: DC-20GHz
- ✓ Low LO power requirement

#### Application

- ✓ High Speed Communication
- ✓ Test Equipment
- ✓ ROF (RF Over Fiber)
- ✓ Radar System

#### Electronical Specifications:

Parameter	Min	Typical	Max
RF Frequency Range		200-220GHz	
LO Chain Multiplier		X16	
LO Frequency Range		12.5-13.75GHz	
LO Driver	+0dBm	+3dBm	+8dBm
IF Range		DC-20GHz	
Conversion Loss (IF=100MHz)		-18dB	-25dB
IF Input P1dB		0dBm	
RF Input P1dB		-5dBm	
Power Supply		+5V	+8V
Current		0.15A	
Spec Temp		25C	





# AT-16MIX-200220SIF-20

200-220GHz H Band Tx/Rx Converter

## Mechanical Information

Item	Description
RF Port	WR-04
LO Port	SMA Female
IF Port	SMA Female
Case Material	Copper
Finish	Gold Plated
Weight	150g
Size:	See outline

## Absolute Maximum Ratings Table

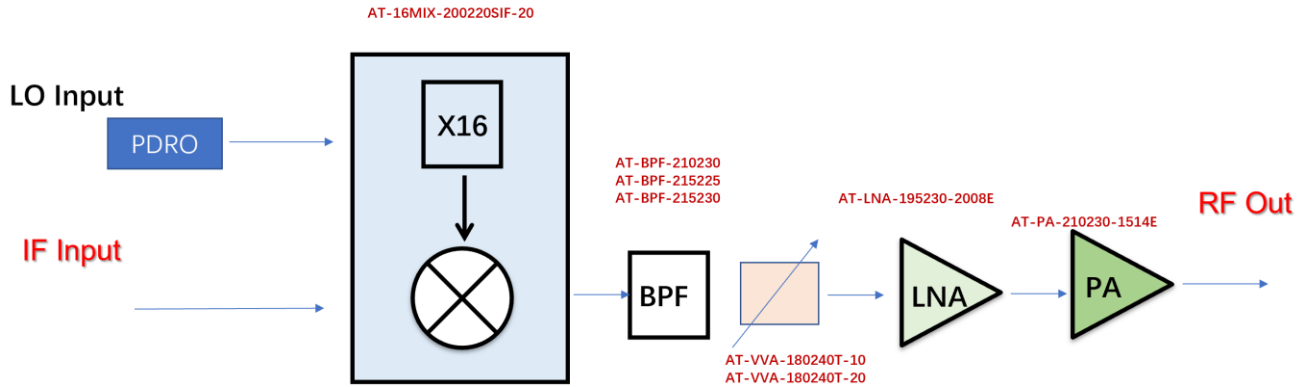
Parameter	Value
IF Port Power	+7dBm
RF Port Power	+5dBm
LO Port Power	+15dBm
Operating Temperature	0 to +50C
Storage Temperature	-65 to +150C

## Notes:

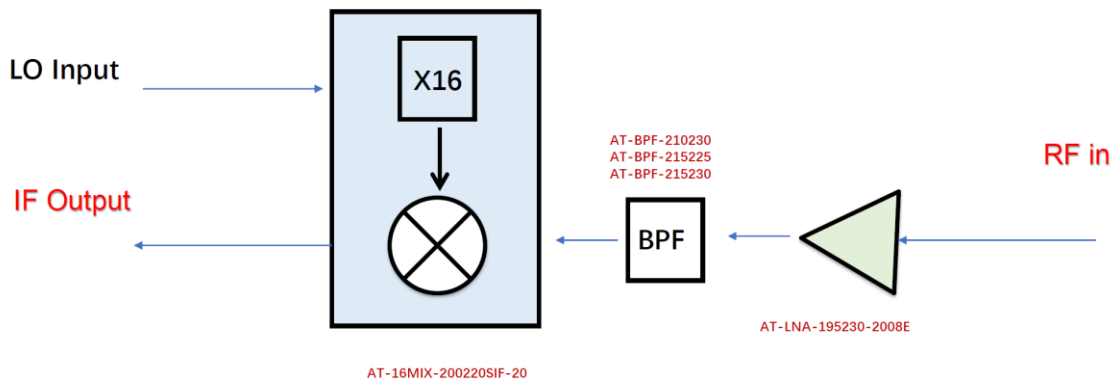
1. Datasheet may be changed according to update of MMIC, Raw materials , process, and so on.
2. This data is only for reference, not for guaranteed specifications.
3. Please contact AT Microwave team to make sure you have the most current data.



## Tx Application



## Rx Application



## Dimension (mm)

